

# Office Space For Lease



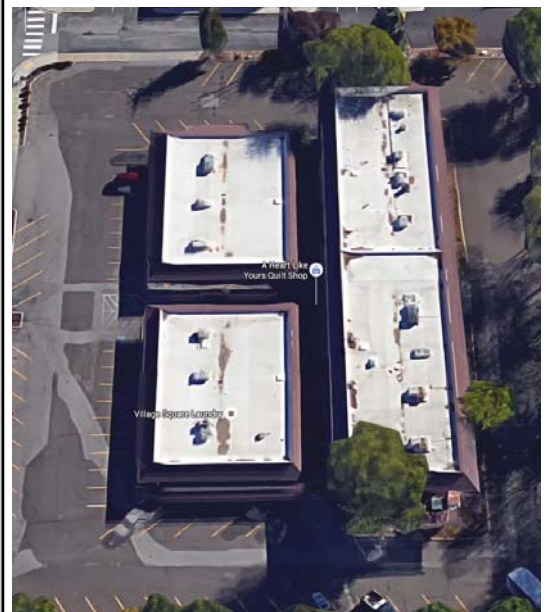
## Available Suites

<b>Suite 302:</b>	<b>880 SF</b>
<b>Suite 303:</b>	<b>800 SF</b>
<b>Suite 501:</b>	<b>1,060 SF</b>
<b>Suite 503:</b>	<b>400 SF</b>
<b>Suite 504:</b>	<b>1,200 SF</b>

**Lease rate \$9.00 PSF plus utilities**

---

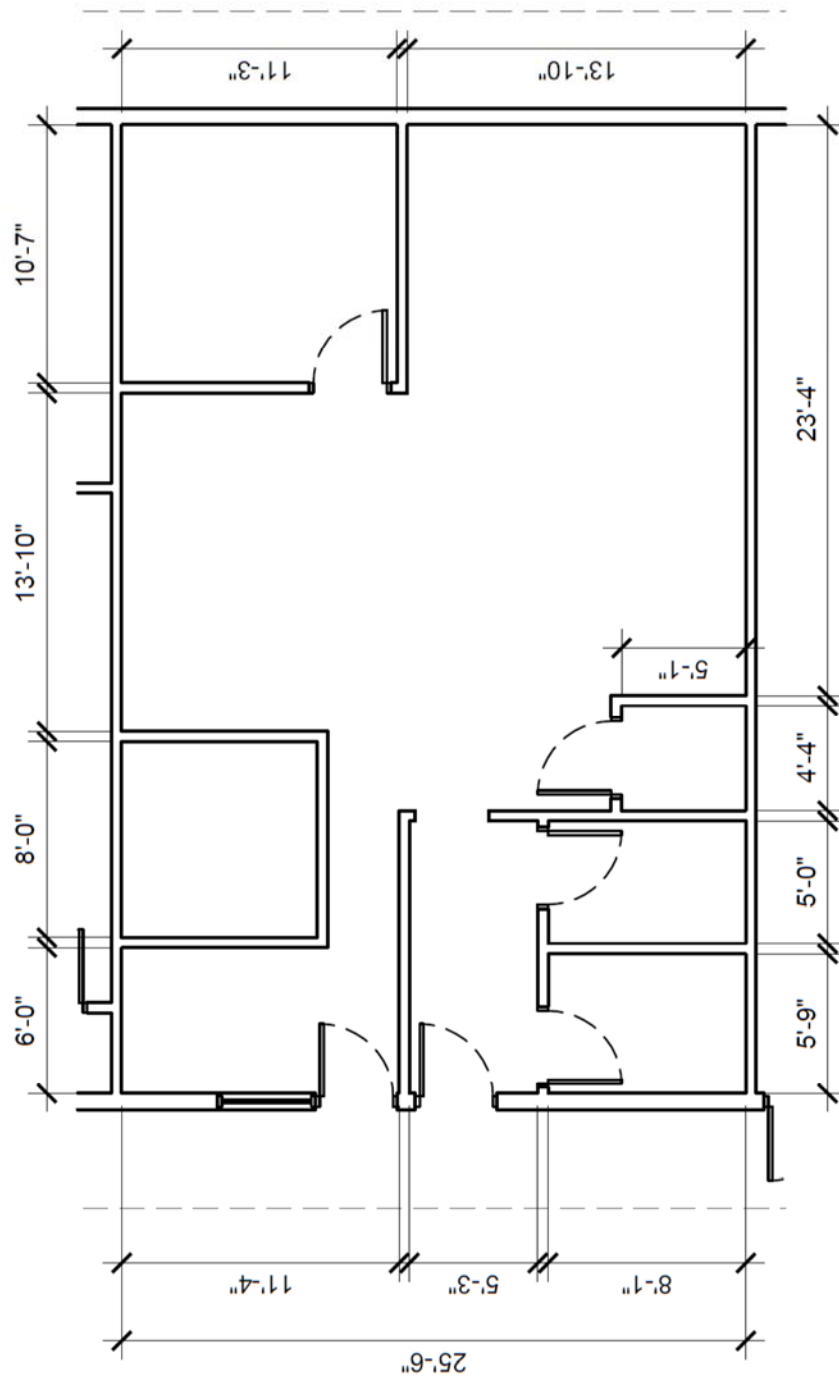
**9212 E.  
Montgomery Ave  
Spokane Valley  
Located just off Argonne  
Near freeway**



**LEVI MCCORMICK**  
**(509) 462-9306**  
[levi@sdsrealty.com](mailto:levi@sdsrealty.com)

**SDS REALTY Inc.**  
COMMERCIAL REAL ESTATE SERVICES

# Suite 302



LEVI MCCORMICK

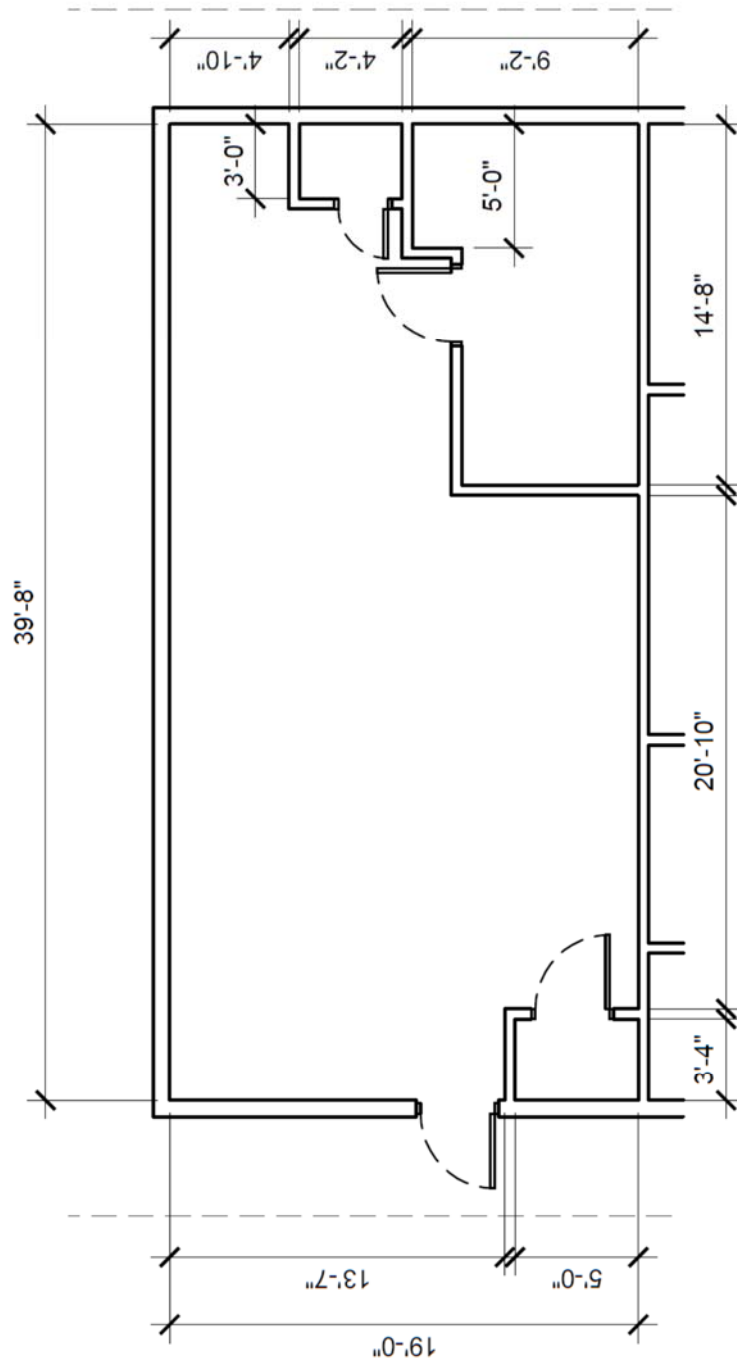
509 462-9306

[levi@sdsrealty.com](mailto:levi@sdsrealty.com)

[www.sdsrealty.com](http://www.sdsrealty.com)

This information has been secured from sources we believe to be reliable, but we make no representations or warranties, express or implied, as to the accuracy of the information. References to square footage or age are approximate. Buyer/tenant must verify the information and bears all risks for any inaccuracies.

# Suite 303



LEVI MCCORMICK

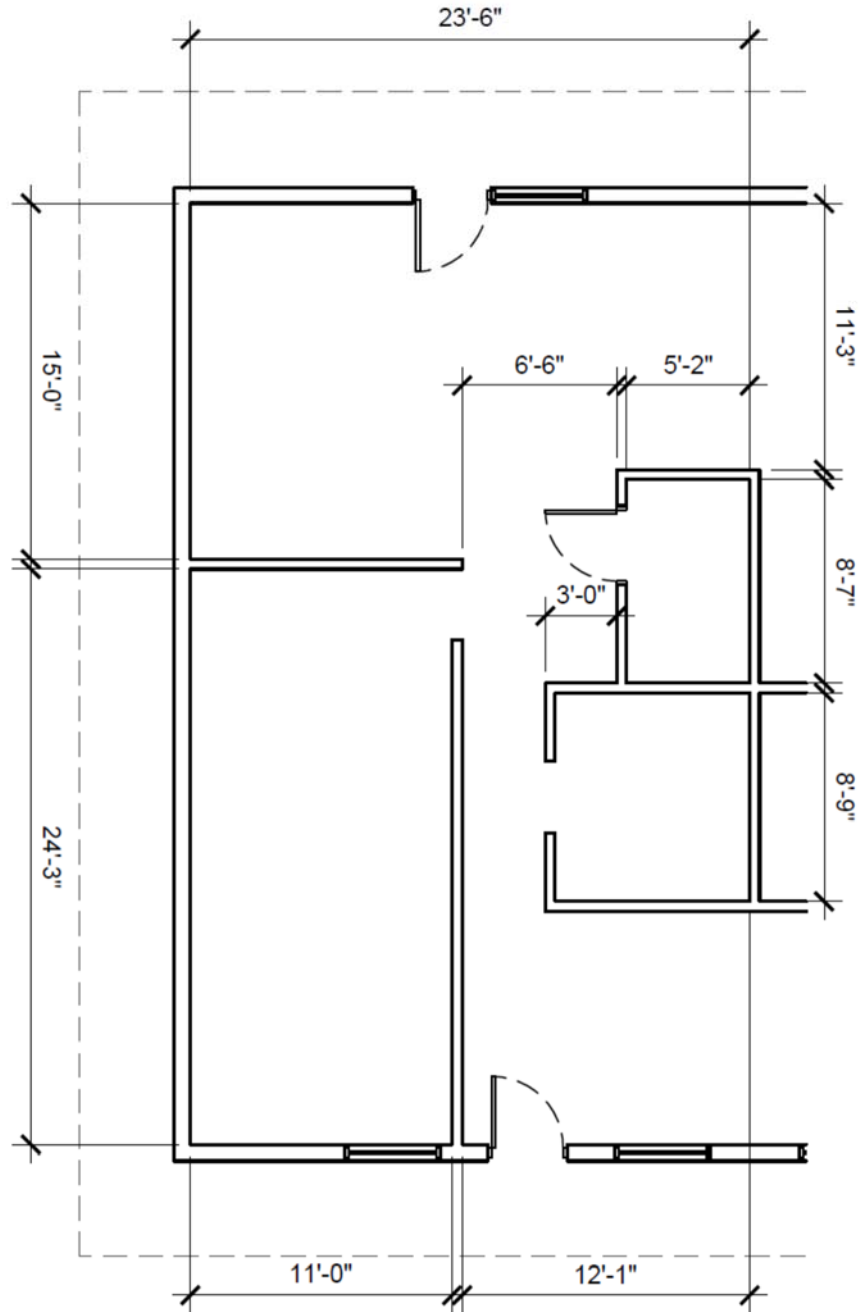
509 462-9306

[levi@sdsrealty.com](mailto:levi@sdsrealty.com)

[www.sdsrealty.com](http://www.sdsrealty.com)

This information has been secured from sources we believe to be reliable, but we make no representations or warranties, express or implied, as to the accuracy of the information. References to square footage or age are approximate. Buyer/tenant must verify the information and bears all risks for any inaccuracies.

# Suite 501



LEVI MCCORMICK

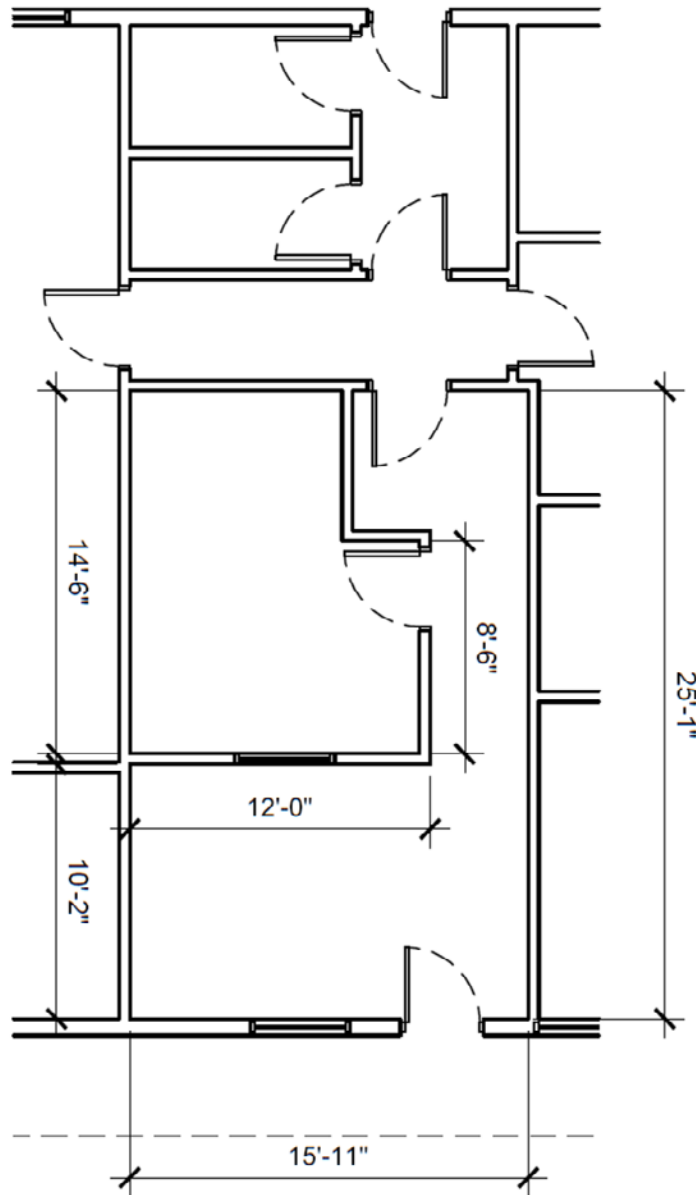
509 462-9306

[levi@sdsrealty.com](mailto:levi@sdsrealty.com)

[www.sdsrealty.com](http://www.sdsrealty.com)

This information has been secured from sources we believe to be reliable, but we make no representations or warranties, express or implied, as to the accuracy of the information. References to square footage or age are approximate. Buyer/tenant must verify the information and bears all risks for any inaccuracies.

# Suite 503



LEVI MCCORMICK

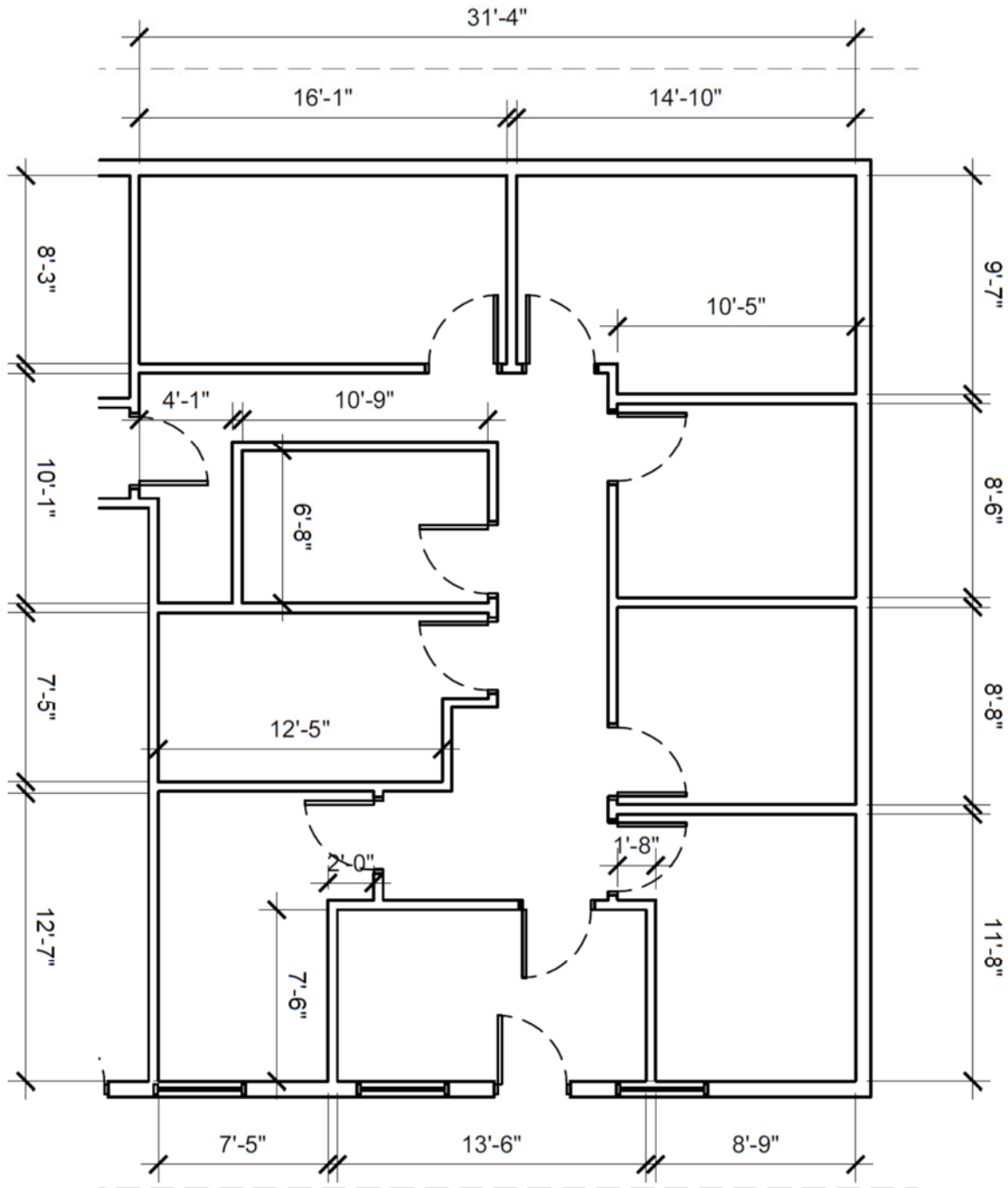
509 462-9306

[levi@sdsrealty.com](mailto:levi@sdsrealty.com)

[www.sdsrealty.com](http://www.sdsrealty.com)

This information has been secured from sources we believe to be reliable, but we make no representations or warranties, express or implied, as to the accuracy of the information. References to square footage or age are approximate. Buyer/tenant must verify the information and bears all risks for any inaccuracies.

# Suite 504



LEVI MCCORMICK

509 462-9306

[levi@sdsrealty.com](mailto:levi@sdsrealty.com)

[www.sdsrealty.com](http://www.sdsrealty.com)

This information has been secured from sources we believe to be reliable, but we make no representations or warranties, express or implied, as to the accuracy of the information. References to square footage or age are approximate. Buyer/tenant must verify the information and bears all risks for any inaccuracies.